



CO | 3-Way pneumatic operating valve



Product description

The 3-Way Pneumatic Operating Valve (model **CO**) are pilot operated, and designed for high flow applications. The 3-way valve is available in sizes 1/4", 1/2", 1", 1 1/2" and 2". The STI 3-way valve can be used in one or more synchronous units piloted by a pneumatic pressure switch or solenoid valve or both in order to achieve safety, trip or shut down function.

Advantages

- **Size 1/4"**
2x3 way valves in one body, reduced dimensions.
- **Sizes 1 1/2" - 2"**
Large size 3 way valve with a special device to switch quickly when in the de-energized position, even when controlled by a low CV pilot.
- **Sizes 1 1/2" - 2"**
Pilot quick exhaust valve included.
- **Sizes 1/2" - 1" - 1 1/2" - 2"**
Perfect tight shut off regardless of the flow direction up to 7 bar with pilot pressure over 2 bar when energized.
- **Sizes 1/2" - 1" - 1 1/2" - 2"**
SIL 3 certified.

Key features

Suitable for

- Standard, Offshore, Sandstorm, copper free ambient condition
- Single and double acting actuators
- Low and high ambient temperature

Exclusive manifold mounting system. It is a special **STI** application to connect our accessories. Fittings or nipples are not necessary as the connection is achieved using machined connection faces with sealing o'ring. This system saves time for assembly, reduces cost on items such as fittings, reducing inventory and the shortened dimensions save space.

Technical specifications - Model 1/4"



CO 1/4"
ALUMINUM



CO 1/4"
STAINLESS STEEL 316

Materials

- Anodized aluminum
- Stainless steel 316

Port size

- Pilot signal = 1/8" NPT
- Others = 1/4" NPT

Operating pressure

- P min = 2,5 bar
- P max = 7 bar
- Design pressure = 10 bar

CV Max

- Inlet = 1
- Outlet = 1

Operating temperature*

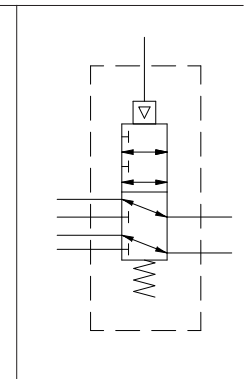
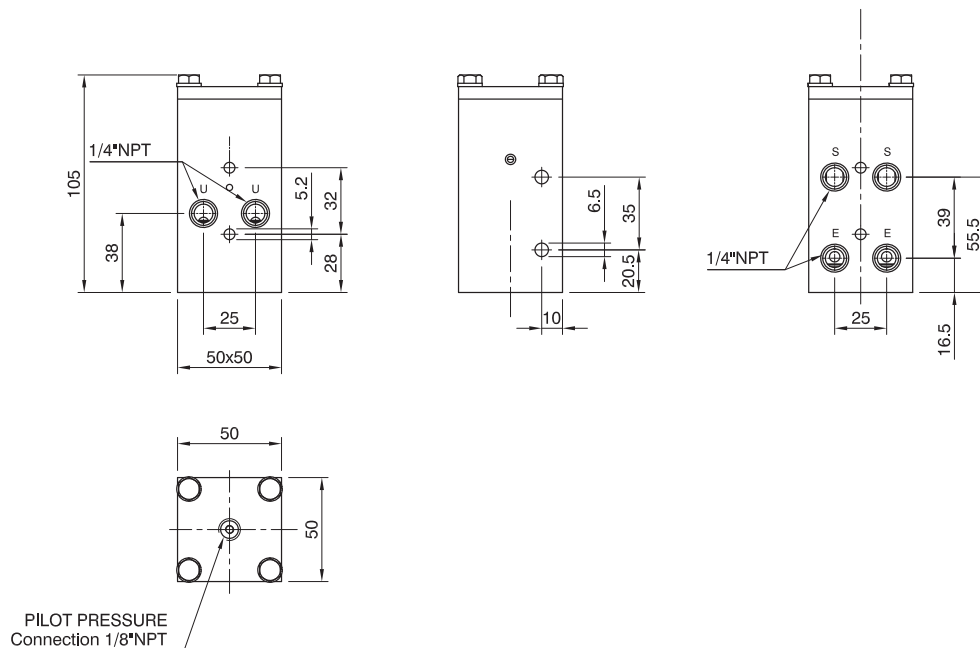
- -20°C / +70°C
- -40°C / +70°C available on request
- -20°C / +85°C available on request

Weight

- CO 1/4" Aluminum = 0,5 kg
- CO 1/4" Stainless steel 316 = 1,7 kg

(*) Lower or higher temperature available on request.

Dimensional drawing



Technical specifications - Model 1/2"



CO 1/2" ALUMINUM
Manifold mounting

Materials

- Anodized aluminum
- Stainless steel 316

CV Max

- Inlet = 2,5
- Outlet = 2,5

Port size

- Pilot signal = 1/8" NPT
- Others = 1/2" NPT

Operating temperature*

- -20°C / +70°C
- -40°C / +70°C available on request
- -20°C / +85°C available on request



CO 1/2" STAINLEES
STEEL 316
Manifold mounting

Operating pressure

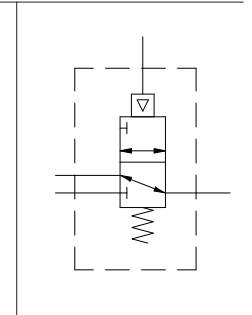
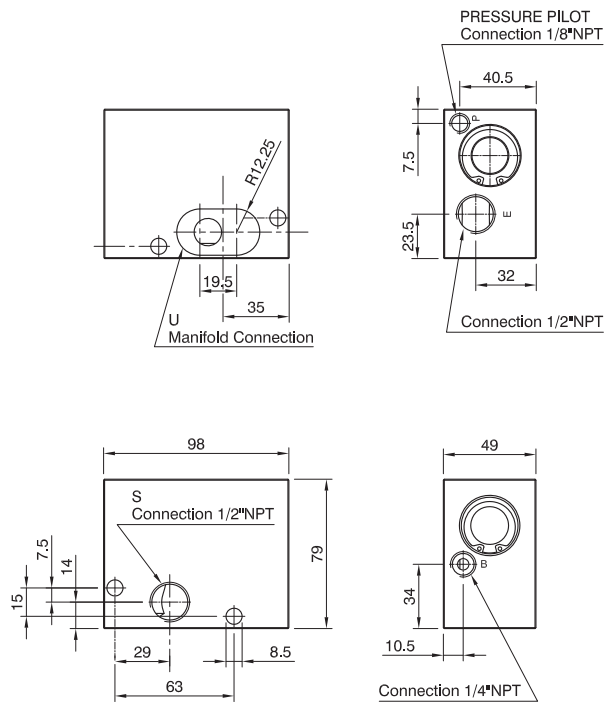
- P min = 2,5 bar
- P max = 7 bar
- Design pressure = 10 bar

Weight

- CO 1/2" Aluminum = 1 kg
- CO 1/2" Stainless steel 316 = 1,5 kg

(*) Lower or higher temperature available on request.

Dimensional drawing



Technical specifications - Model 1"



CO 1" ALUMINUM
Manifold mounting

Materials

- Anodized aluminum
- Stainless steel 316

CV Max

- Inlet = 6,5
- Outlet = 6,5

Port size

- Pilot signal = 1/4" NPT
- Others = 1" NPT or manifold mounting

Operating temperature*

- -20°C / +70°C
- -40°C / +70°C available on request
- -20°C / +85°C available on request



CO 1" STAINLEES
STEEL 316
Manifold mounting

Operating pressure

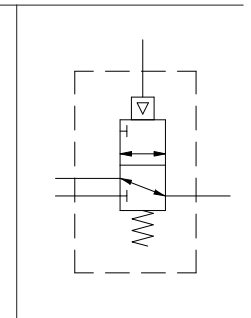
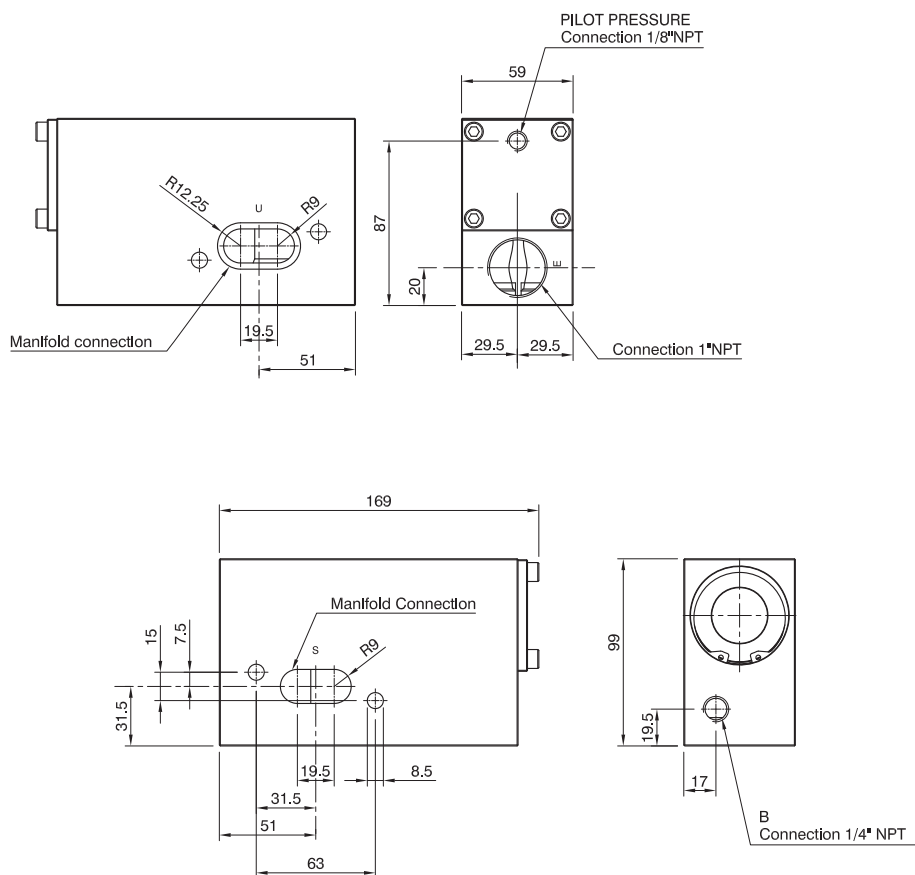
- P min = 2,5 bar
- P max = 7 bar
- Design pressure = 10 bar

Weight

- CO 1" Aluminum = 2,2 kg
- CO 1" Stainless steel 316 = 5,1 kg

(*) Lower or higher temperature available on request.

Dimensional drawing



Technical specifications - Model 1" 1/2



CO 1 1/2"
ALUMINUM
Manifold mounting



CO 1 1/2" STAINLESS
STEEL 316
Manifold mounting

Materials

- Painted RAL 7001 aluminum
- Stainless steel 316

Port size

- Pilot signal = 1/4" NPT
- Others = 1 1/2" NPT or manifold mounting

Operating pressure

- P min = 2,5 bar
- P max = 7 bar
- Design pressure = 10 bar

CV Max

- Inlet = 10,5
- Outlet = 13

Operating temperature*

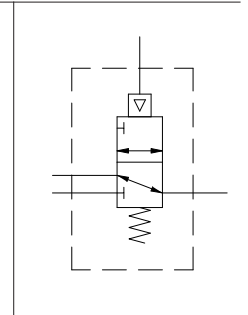
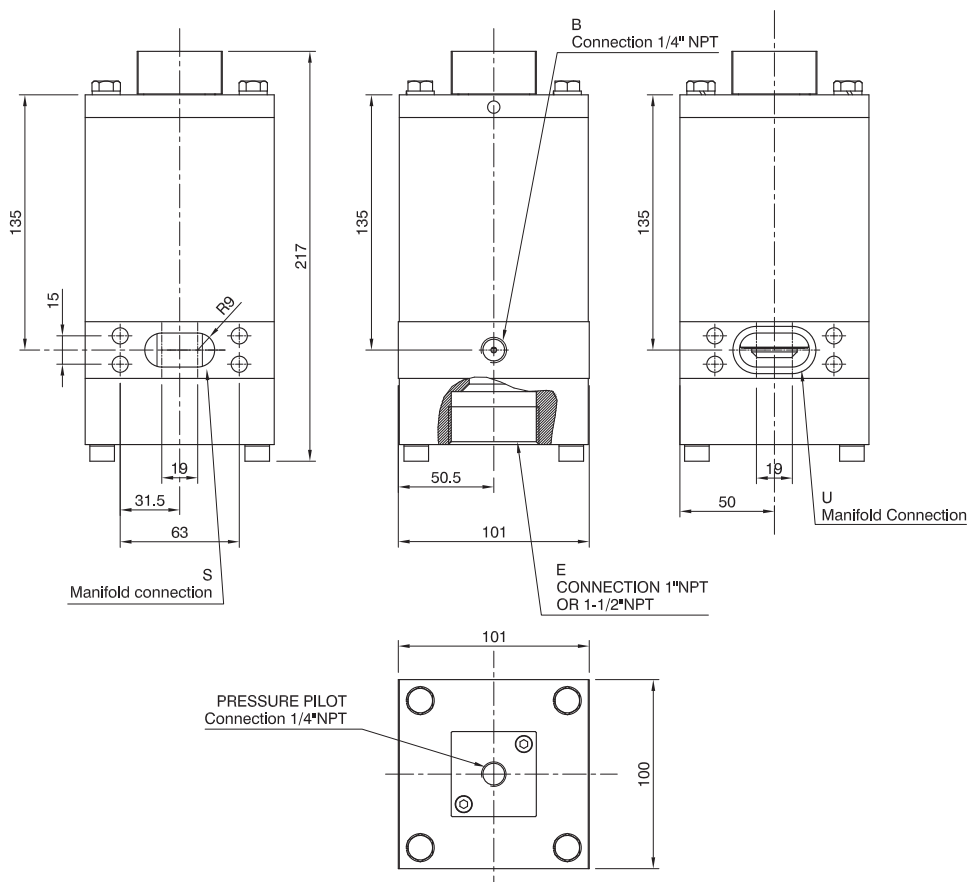
- -20°C / +70°C
- -40°C / +70°C available on request
- -20°C / +85°C available on request

Weight

- CO 1 1/2" Aluminum = 4,5 kg
- CO 1 1/2" Stainless steel 316 = 10 kg

(* Lower or higher temperature available on request.

Dimensional drawing



Technical specifications - Model 2"



CO 2" ALUMINUM
Manifold mounting

Materials

- Painted RAL 7001 aluminum

Port size

- Pilot signal = 1/4" NPT
- Others = 2" NPT or manifold mounting

Operating pressure

- P min = 2,5 bar
- P max = 7 bar
- Design pressure = 10 bar

CV Max

- Inlet = 45
- Outlet = 45

Operating temperature*

- -20°C / +70°C
- -40°C / +70°C available on request
- -20°C / +85°C available on request

Weight

- CO 2" Aluminum = 4,1 kg

(*) Lower or higher temperature available on request.

Dimensional drawing

