

Quarter turn hydraulic actuator

RTQH Series

Single acting version type RTQHS

INSTRUCTION MANUAL 5400




*Engineering
GREAT Solutions*

Date	Revision	Description	Compiled	Approved
<i>02/10/2015</i>	<i>2</i>	<i>Revision</i>	<i>M. Bozzarelli</i>	<i>D. Lamoure</i>
<i>24/10/2013</i>	<i>1</i>	<i>Revision</i>	<i>G. Alfieri</i>	<i>D. Lamoure</i>
<i>01/07/2013</i>	<i>0</i>	<i>Issue</i>	<i>E. Montagna</i>	<i>D. Lamoure</i>


STI S.r.l has taken every care in collecting and verifying the documentation contained in this Instruction Manual. The information herein contained are reserved property of STI S.r.l.

INDEX

1	GENERAL INFORMATIONS	1
1.1	GENERAL WARNINGS	1
1.2	GENERALITIES	1
1.3	MANUFACTURER	1
1.4	TERMS AND CONDITIONS	1
1.5	MANUFACTURER’S LIABILITY	1
1.6	APPLICABLE STANDARDS AND DIRECTIVES.....	2
1.7	SYMBOLGY USED	2
2	DEVICE DESCRIPTION	3
2.1	GENERAL DESCRIPTION	3
2.2	IDENTIFICATION OF THE MAIN PARTS.....	4
2.3	ACTUATOR CODING DESCRIPTION	5
3	TECHNICAL DATA	6
4	IDENTIFICATION PLATE	6
5	INSTALLATION	7
5.1	TRANSPORT	7
5.2	RECEPTION	8
5.3	STORAGE.....	8
5.4	REQUIREMENTS OF STABILITY	8
5.5	INTERFACE DOCUMENT AND DIMENSIONAL DRAWING.....	8
5.6	INSTALLATION	9
5.7	DISASSEMBLING.....	12
6	OPERATION AND USE	13
6.1	OPERATION DESCRIPTION	13
6.2	INTENDED USE.....	13
6.3	REASONABLY FORESEEABLE MISUSE	14
6.4	OPERATING LIMITS	14
6.5	RESIDUAL RISKS.....	14
7	INSTRUCTIONS FOR THE OPERATOR	15
7.1	START UP.....	15
7.2	STROKE ADJUSTMENT	15
8	MAINTENANCE	18
8.1	PERIODIC INSPECTIONS	18
8.2	SPECIAL MAINTENANCE	19
8.3	REPAIRS	23
8.4	MECHANISM LUBRICATION	24
8.5	HYDRAULIC FLUID	24
9	TROUBLESHOOTING	25
10	PARTS LIST GENERAL ASSEMBLY	26
11	SPARE PARTS	33
12	DECOMMISSIONING	34
13	DECLARATION OF INCORPORATION	35

1 GENERAL INFORMATIONS

1.1 General Warnings

<p>Important</p> 	<p>This Instruction Manual is an integral part of the machine, it should be carefully read before carrying out any operation and it should be kept for future references.</p> <p>This Instruction Manual covers the RTQHS actuators in the base version without any accessories and/or control panel.</p> <p>In case accessories and/or control panel are foreseen mounted on the actuator an additional Section to this Instruction Manual will be attached to the specific actuator.</p> <p>This Instruction Manual is realized in accordance with the Directive 2006/42/CE.</p>
---	--

1.2 Generalities

STI S.r.l. actuators are conceived, manufactured and controlled according to the Quality Control System in compliance with EN ISO 9001 International Standard.

1.3 Manufacturer

With respect to Machinery Directive 2006/42/EC the Manufacturer of the described RTQHS actuator series, is **STI S.r.l.** as specified on the machinery label.

STI S.r.l. Via Dei Caravaggi 15
24040 Levate (BG) Italy
Tel. +39 035 2928.2
Fax +39 035 2928.247
info@StiStrumentazione.com

1.4 Terms and conditions

STI S.r.l. guarantees each single product to be free from defects and to conform to current goods specifications. The warranty period is one year from the date of installation by the first user, or eighteen months from the date of shipment to the first user, whichever occurs first.

The warranty does not cover special products or components not covered by warranty in their turn by subcontractors. No warranty is given for products which have been subject to improper storage, improper installation, misuse, or corrosion, or which have been modified or repaired by unauthorised personnel. Repair work due to improper use will be charged at standard rates.

1.5 Manufacturer's Liability

STI S.r.l. declines all liability in the event of:

- use of the actuator in contravention of local safety at work legislation
- incorrect installation, disregard or incorrect application of the instructions provided on the actuator nameplate and in this manual
- modifications without STI's authorisation
- work done on the unit by unqualified or unsuitable persons.

1.6 Applicable Standards and Directives

- EN ISO 12100:2010: Safety of machinery - General principles for design. Risk asses and risk reduction.
- 2006/42/EC Machinery Directive.
- 97/23/EC Pressure Equipments Directive (PED)
- 2006/95/EC Directive for Low Voltage Equipment (LV)
- 2004/108/EC Directive relating to the Electromagnetic Compatibility (EMC)
- 94/9/CE Directive concerning equipment for use in potentially explosive atmospheres (ATEX)

1.7 Symbology Used

1.7.1 Signs of warning and/or danger

Please pay the maximum attention to the signs shown here below when they are present. They indicate a potentially hazardous situation and they warn that, if the displayed indications are not properly observed, the failure to observe them could cause serious injuries, death or long-term risks to the health of exposed persons.



GENERAL DANGER



DANGER POWER SUPPLY



CRUSHING HAZARD

1.7.2 Signs of obligation



General obligation (with the possible supplementary signboard)



Must wear protective clothing.



Obligation to wear protective footwear.



Is required to wear a helmet.



Is required to protect the eyes.



Obligation to protect your hearing.

2 DEVICE DESCRIPTION

2.1 General Description

RTQHS single acting hydraulic actuators, are suitable for the operation of quarter turn valves (ball valves, butterfly valves, plug valves,...) for ON-OFF and modulating heavy-duty services.

The actuator is made up of a weatherproof scotch yoke mechanism transforming the linear movement of the hydraulic cylinder (on closing or opening direction) or the linear movement due to the force of a spring (on opposite direction to the hydraulic cylinder) into the rotary movement, which is necessary for valve operation.

The travel stroke of the yoke is adjustable between ± 4 degree at both ends of the nominal travel by means of the external mechanical stops arranged into the end flange of the spring cartridge and into the end flange of the hydraulic cylinder.

The cover of the centerbody of the scotch yoke mechanism is machined to provide the assembly pattern for any required accessories (i.e. positioner, signalling limit switches, position transducer, etc.) by means of proper matching units. The above mentioned accessories are operated by the actuator drive sleeve.

Actuator centerbody bottom wall is machined with threaded holes to allow actuator mounting on top of valve top-work either directly or, when required, with the interposition of an adaptor flange or a mounting bracket.

2.2 Identification of the Main Parts

The RTQHS actuator is composed by six main parts identified in the attached Fig. 1:

- 1) Scotch yoke mechanism.
- 2) Hydraulic cylinder
- 3) Spring cartridge
- 4) Stopper screw assembly for cylinder
- 5) Seal kit
- 6) Position Indicator
- 7) Stopper screw assembly for spring cartridge.

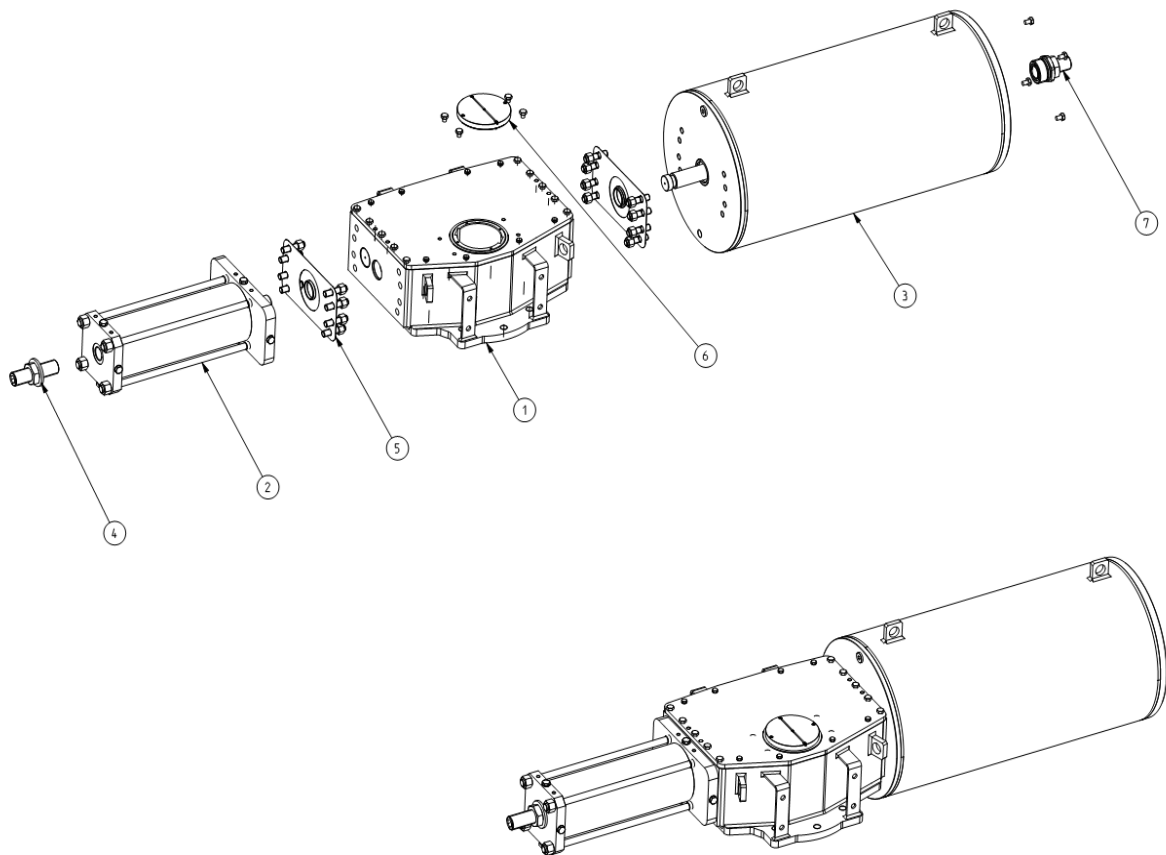
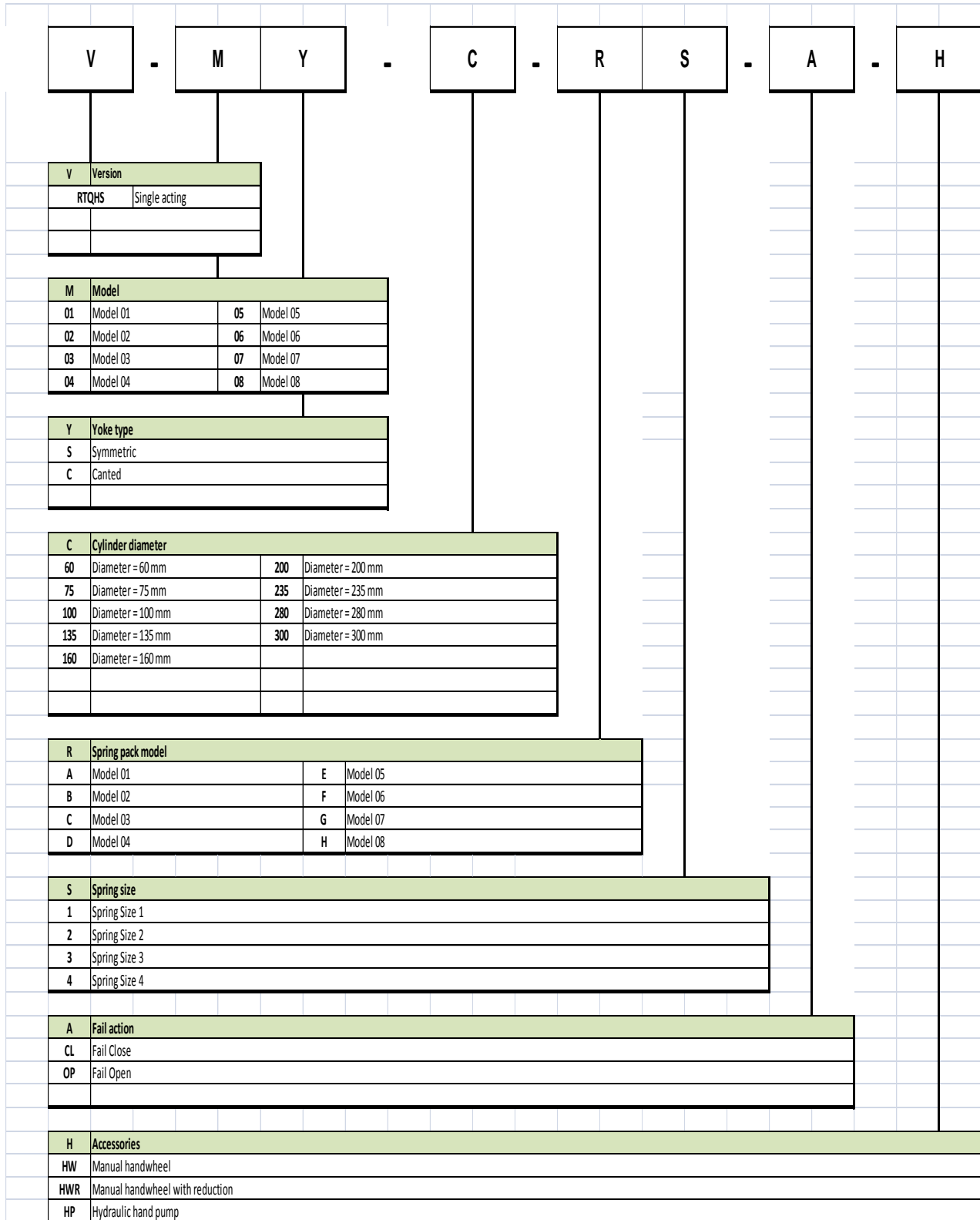


Fig. 1: Main parts for RTQHS actuator series (Spring to Close configuration)

2.3 Actuator coding description






3 TECHNICAL DATA

DATA	
Supply medium	Hydraulic fluid (see Section 8.5)
Operating temperature ranges	Standard: - 20°C up to +100°C Optional: - 60°C up to +100°C
Cylinder design pressures	103, 207 or 345 bar
Operating pressure range	Depending on customer requirements and specifications. (Data are available on actuator nameplate)
Max operating torque (MOT)	RTQHS 01 models: up to 12.000 Nm RTQHS 02 models: up to 22.000 Nm RTQHS 03 models: up to 40.000 Nm RTQHS 04 models: up to 70.000 Nm RTQHS 05 models: up to 125.000 Nm RTQHS 06 models: up to 220.000 Nm RTQHS 07 models: up to 350.000 Nm RTQHS 08 models: up to 500.000 Nm
Applications	On-Off Modulating service (on request)

The nameplate fastened on the actuator contains the main actuator operating condition.
It is forbidden to modify the information and the marks without previous written authorization by STI S.r.l.

4 IDENTIFICATION PLATE


 STI s.r.l. Via Dei Caravaggi 15 24040 LEVATE(Bg)–ITALY
 www.imi-critical.com – FAX +39 035 2928247

II 2GD c II T ATEX Tech.file ref.

Order

Serial. N°

Model

Max Oper. Torque Nm

Valve Tag


Year Fluid

Pressure Range bar


TMax °C Tmin °C


Degree of Protection: **IP66/IP67M**


5 INSTALLATION

<p>Important</p> 	<p>Not performing the following procedures will invalidate the product guarantee.</p>
---	--

5.1 Transport

	<p>Important: The lifting and handling should be made by qualified staff and in compliance with the laws and provisions in force.</p>
---	--

	<p>Warning: Lift the actuator as shown in Fig.2. The fastening points are appropriate for the lifting of the actuator alone and not for the valve + actuator assembly.</p>
---	---

	<p>Warning: Avoid that during the handling, the actuator passes above the staff. The actuator should be handled with appropriate lifting means. The weight is reported on the delivery bill and on overall-dimensions drawings furnished with the documents accompanying the actuator. For base actuator dimensions and weights please consult www.stiactuation.com</p>
---	--

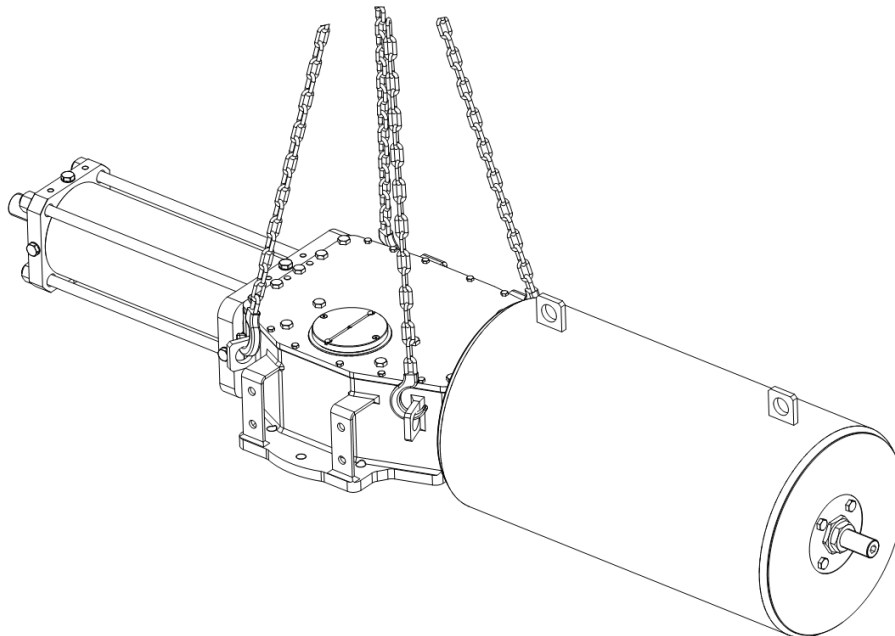


Fig. 2 – Lifting points for RTQHS actuator series

5.2 Reception

- Check that the model, the serial number of the actuator and the technical data reported on the identification plate correspond with those of order confirmation (Sect. 4).
- Check that the actuator is equipped with the fittings as provided for by order confirmation.
- Check that the actuator was not damaged during transportation: if necessary renovate the painting according to the specification reported on the order confirmation.
- If the actuator is received already assembled with the valve, its settings have already been made at the factory.
- If the actuator is delivered separately from the valve, it is necessary to perform the setting after the assembling on the valve according to the following Section 7.2.

5.3 Storage

All the actuators RTQHS leave the factory in perfect condition. Performances of each unit are guaranteed by individual test and data reported on a specific test certificate issued for each unit.

In order to maintain these characteristics until the RTQHS actuator is installed on site, proper attention must be observed for preservation during the storage period.

If the actuator needs storage, before installation follow these steps:

- Place it on a wood surface pallet or on metallic support, so that they are not in direct contact with the ground, in order not to deteriorate the area of valve coupling, later it must be packed with appropriate covering.
- Make sure that plastic plugs are present on the hydraulic and electrical connections (if present).
- Check that the limit switch box (if any) is properly closed.
-

If the storage is long-term or outdoor:

- Keep the actuator protected from direct weather conditions.
- Replace plastic plugs of hydraulic and electrical connections (if any) with metal plugs that guarantee perfect tightness.
- Coat with oil, grease or protection disc, the valve coupling area.
- Periodically operate the actuator (Sect.6).

5.4 Requirements of Stability

- Conditions in which the machinery meets the requirement of stability during use, transportation, assembly, dismantling when out of service, testing or foreseeable breakdowns, are shown in Fig.2.
- The actuator must be put, with extreme caution, in a right position on a plane surface and with adapted capacity to the load to support.
- Do not use actuator eye bolts lifting of valve-actuator package.
- Concerning the requirement of stability during installation and disassembling it 's possible to refer to the next chapters 5.6 and 5.7.

5.5 Interface document and dimensional drawing

- Hydraulic diagrams, wiring diagrams and dimensional drawing are furnished with document accompanying the actuator.

5.6 Installation

Warning



It is assumed that the installation, setting, commissioning, maintenance and repair works are carried out by qualified personnel and checked by responsible Specialists. Any repair work other than the operations outlines in this Instruction Manual will be strictly reserved to qualified **STI srl** personnel or to personnel directly authorised by the Company itself.

Warning



- Before proceeding with any Installation the following instructions must be respected:
- Always wear protective clothing, gloves, and eyewear to prevent personal injury.
 - Use the lifting point foreseen on the actuator to move the actuator: if different instructions are not well specified the lifting points foreseen on the actuator must be used only to move the actuator.
 - Check with your process or safety engineer for any additional measures that must be taken to protect against process media.

5.6.1 Checks to be performed before installation

If the RTQHS actuator is purchased separately, proceed as follows before assembling it onto the valve:

- Check that the coupling dimensions of the actuator/coupling block flange and stem meet the specified coupling dimensions.
- Prepare the necessary tools for the assembly and setting of the unit.
- Check that the outer surface of the actuator is free from dust and dirt.
- Clean the actuator flange and remove anything that might prevent a perfect adherence to the actuator/coupling block flange and joint especially all traces of grease.

5.6.2 Assembling of the actuator on the valve

The actuator can be assembled on top of the valve flange either by using the actuator-housing flange with threaded holes, or by the interposition of a proper mounting hardware.

The actuator drive sleeve is generally connected to the valve stem by an insert bush or a stem extension. The assembly position of the actuator, with reference to the valve, must comply with the plant requirements (cylinder axis parallel or perpendicular to the pipeline axis).

To assemble the actuator onto the valve proceeds as follows:

- Move the valve and the actuator to their fails position
- If an insert bush or stem extension for the connection to the valve is supplied separately, assemble it onto the valve stem and fasten it by tightening the proper stop dowels.
- Connect a sling to the support points of the actuator and lift it: make sure the sling is suitable for the actuator weight
- Lower the actuator onto the valve in such a way that the insert bush, assembled on the valve stem, enters the actuator drive sleeve; this coupling must take place without forcing and only with the weight of the actuator.
- When the insert bush has entered the actuator drive sleeve, check the holes / pin of the valve flange meet the actuator holes and pin, otherwise rotate the mounting bracket to obtain a right assembling.

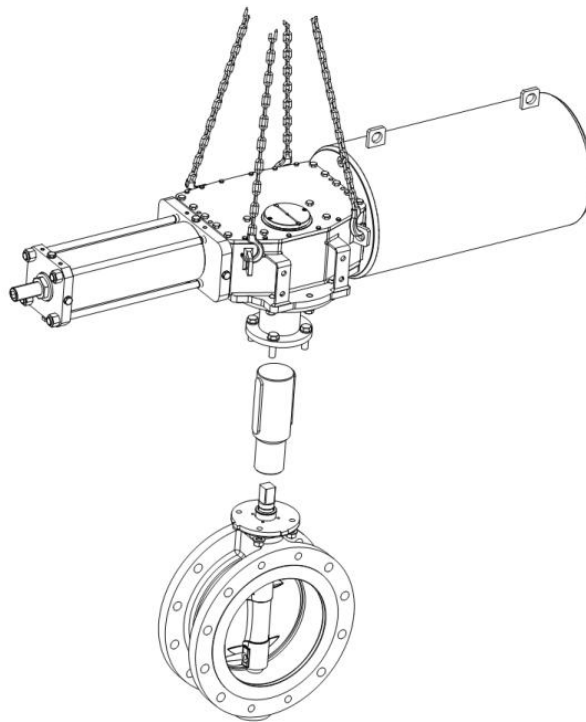


Fig. 3 – Assembling of the actuator on the valve


	<p>To guarantee the correct transmission of torque from the actuator to valve stem without phenomena of slip it is important to remove any trace of oil and/or grease from the mating surfaces of valve and actuator or bracket and tighten the nuts fixing the bolts with the torque specified into the following Table 1</p>
---	---


Table 1

Threading	Tightening torque (Nm)	Threading	Tightening torque (Nm)
M8	20	M24	550
M10	40	M27	800
M12	70	M30	1200
M14	110	M33	1400
M16	150	M36	1800
M20	300		

The torque values in Table 1 have been calculated considering the materials ASTM A320 grade L7/ASTM A193 grade B7 for screws or tie rods and ASTM A194 grade 4 for the nuts.


Alternative bolting permitted i.e. ASTM A193 B8M (or B8M3) for tie rods and ASTM A194 grade 8M for the nuts, provided that yield strength of screws or tie rods is higher than 450 MPa.

5.6.3 Hydraulic Connections

<p>Warning</p> 	<p>Check that the values of hydraulic supply available are compatible with those reported on the identification plate of the actuator.</p> <p>Use pipes and connections appropriate as for type, rating, material and dimensions.</p> <p>The connection should be made by qualified staff.</p>
---	--

- Properly deburr the ends of rigid pipes.
- Properly clean the interior of pipes sending through them plenty of the supply fluid used in the system.
- Mould and fasten the connection pipes so that no irregular strains at entries or loosening of threaded connections occur.
- Make the connections according to the operating diagram.
- Check the absence of leakages from hydraulic connections. If necessary tighten the nuts of the pipe-fittings.

5.6.4 Electrical Connections (If any)


<p>Warning</p> 	<p>Before carrying out electrical connections, switch off any power and control lines.</p> <p>Use components appropriate as for type, material and dimensions.</p> <p>The connections should be made by qualified staff.</p>
---	--

- Introduce connection cables.
- Make the connections in compliance with applicable wiring diagrams on the documentation supplied.
- Screw the cable gland.
- Replace the plastic plugs of unused entries with metal plugs.

5.6.5 Earthing connection

If the earthing connection is not guaranteed through mechanical parts where actuator is mounted, it is necessary ensure a directly earthing connection on provided point of actuator.

5.7 Disassembling

<p>Warning</p> 	<p>Before starting the disassembly operations it is mandatory to disconnect the hydraulic power and to exhaust the cylinder and any other pressure retaining component mounted on the actuator.</p> <p>Before removing the screws between actuator and valve or adaptor flange or mounting bracket, the actuator should be connected with appropriate lifting means. Lift the actuator as shown in Fig.3. The lifting points are appropriate for handling the actuator alone and <u>not for the valve + actuator assembly</u>.</p> <p>During the disassembling take care that the mounting coupling block is fix on the valve stem to avoid any dangerous situation.</p>
---	---

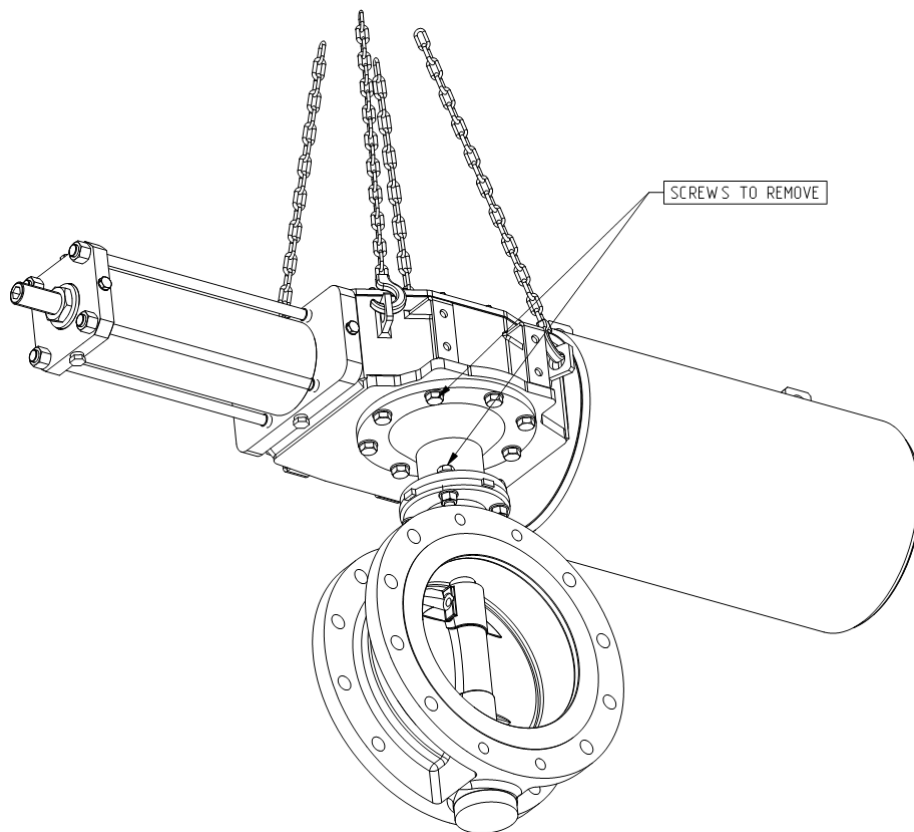


Fig. 4 – Disassembling of the actuator from the valve

6 OPERATION AND USE

6.1 Operation description

The RTQHS is a hydraulic actuator designed for on-off and control service and is applicable over a wide range of pressure, temperatures and environments.

The scotch yoke mechanism converts the linear motion of hydraulic piston or spring into valve rotation by the actuator shaft. The symmetric scotch yoke mechanism generates high torque at start (0° degree) and the end (90° degree) of the valve stroke, typically valve torque figure of ball valve. The canted scotch yoke mechanism generates very high torque when valve is closed, typically valve torque figure of butterfly valve.

For Single acting actuator RTQHS the spring cartridge is located on the other side of actuator housing. The spring provides the required safety function, the valve either opens or closes if the hydraulic supply is interrupted. Safe spring design ensures proper functionality and safe maintenance, preventing any accidental hazards due corrosion of bolting.


6.2 Intended use

The machinery covered in this Instruction Manual is single acting hydraulic RTQHS actuator series designed to operate a quarter turn industrial valve (ball valves, butterfly valves, plug valves, dampers,...) for ON-OFF or modulating heavy duty service.

This RTQHS actuator is produced by **STI srl** [Manufacturer] and identified by a label with a product designation code. **STI srl** will not be liable for any possible damage or physical injury resulting from use in other than the designated applications or by lack of care during installation, operation, adjustment and maintenance of the machine. Such risks lie entirely with the user. Depending on the specific working conditions, additional precautions may be requested. Considering that **STI srl** has no direct control over particular applications, operation or maintenance conditions, it is the operator's responsibility to comply with all applicable safety rules. Please inform **STI srl** urgently if you face unsafe situations not described in this Instruction Manual. It is the sole responsibility of the operator to ensure that the local health and safety regulations are adhered to.

RTQHS actuator is designed in accordance with the applicable International Rules and Specifications, but the following Regulations must be observed in any case:

- the general and safety regulations
- the plant specific regulations and requirements
- the proper use of personal and protective devices (glasses, clothing, gloves, etc)
- the proper use of tools, lifting and transport equipment.

<p>Warning</p> 	<p>It is severely forbidden to use the RTQHS actuators series for purpose or application other than those for which it was designed and here above specified</p>
---	---

6.3 Reasonably foreseeable misuse

A short list of reasonably foreseeable misuse :


- Installation in ambient with not planned conditions: i.e. climatic conditions different from the specified conditions;
- Insert incorrect fluid into the system;
- Supply pressure out of required range;
- Lifting of the actuator with valve through eye bolts.

6.4 Operating limits

Operating conditions are described in paragraph 3, the nameplate fastened on the actuator contains the main actuator operating condition for the specified application.

<p>Warning</p> 	<p>It is severely forbidden to use the actuator under conditions other than those provided on the nameplate.</p>
---	---

6.5 Residual Risks

<p>Warning</p> 	<p>The actuator has parts under pressure: use the due caution. Use individual protections provided for by the laws and provisions in force.</p>
---	--

- Risk due to movements of loads during load displacements, assemblage and maintenance servicing.
- Electrical risk due to an incorrect application of the instruction.
- Crushing during assemblage and maintenance servicing.
- Extreme metal temperature at high (over than 80°C) or very low values as consequence of ambient temperature as to be considered as a risk of person injury in case of contact.
- Emissions of hazardous substances where natural gas is used as motive energy.


7 Instructions for the operator

7.1 Start Up

During the start-up of the actuator, proceed as follows:

- Check that the pressure and quality of the air supply (filtering degree, dehydration) are as prescribed.
- Check that the feed voltage values of the electric components (solenoid valve coils, micro-switches, pressure switches, etc.) are as prescribed.
- Check that the actuator controls work properly (remote control, local control, emergency controls, etc.)
- Check that the required remote signals (valve position, air pressure, etc.) are correct.
- Check that the setting of the components of the actuator control unit (pressure regulator, pressure switches, flow control valves, etc.) meet the plant requirements.
- Check that there are not leak in the hydraulic connections. If necessary tighten the nuts of the pipe fittings.
- Remove all rust and, in accordance with the applicable painting specifications, repair paint-coat that has been damaged during transport, storage or assembly.

7.2 Stroke adjustment

	<p>Important</p> <p>It is assumed that the following instructions are executed in the workshop using air as the power fluid. Instructions are applicable when the actuator is already installed on the valve.</p>
--	---

It is important that the mechanical stops of the actuator (and not those of the valve) stop the rotary stroke at both extreme valve positions (fully open and fully closed), except when different configuration is required by the type of the valve (i.e., eccentric butterfly valves,..).

The setting of the open/closed valve position is performed by adjusting the setting screws foreseen into the end flanges of the cylinder and spring cartridge (see Fig. 5 and Fig. 6) following the instructions listed on the next paragraphs 7.2.1 and 7.2.2.

7.2.1 Spring to Close version

7.2.1.1 Setting of the stopper on the cylinder side (Fig. 5)

Start this operation with the air in the hydraulic cylinder exhausted and valve in closed or intermediate position.

Loosen the nut (5.3) from the setting screw (5.2) and unscrew the setting screw (5.2) until it remain only a few threads engaged on the end flange of the cylinder.

By pressurizing the cylinder or by using the manual override, move the valve until it reach the correct setting in open position. Fix then the valve position by screwing the setting screw (5.2) until it stops on the end part of the internal piston.

Taking care not to damage it, reinstall the sealing washer (5.4) and screw until it blocks against the surface of the end flange; put then in place the protection washer (5.1) around the sealing washer (5.4) and block all the system with the nut (5.3).

To avoid the risk of unsetting the setting screw (5.2) during this last operation, keep the setting screw (5.2) blocked by using an Allen wrench engaged on the on the hexagonal receptacle.

7.2.1.2 Setting of the stopper on the spring side (Fig. 6)

Start this operation with valve in open or intermediate position.

Loosen the nut (6.3) from the setting screw (6.2) and unscrew the setting screw (6.2) until it remain only a few threads engaged on the end flange of the spring cartridge.

By releasing the air in the cylinder or by using the manual override, move the valve until it reach the correct setting in closed position. Fix then the valve position by screwing the setting screw (6.2) until it stops on the end part of the internal spring stem.

Taking care not to damage it, reinstall the sealing washer (6.4) and screw until it fit into the groove of the spring cartridge bushing (6.1), then block all the system with the nut (6.3).

To avoid the risk of unsetting the setting screw (6.2) during this last operation, keep the setting screw (6.2) blocked by using an Allen wrench engaged on the on the hexagonal receptacle.

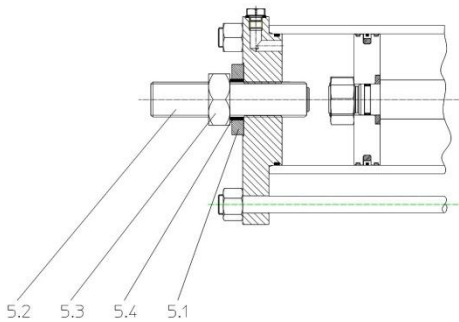


Fig. 5 – Stroke adjustment detail

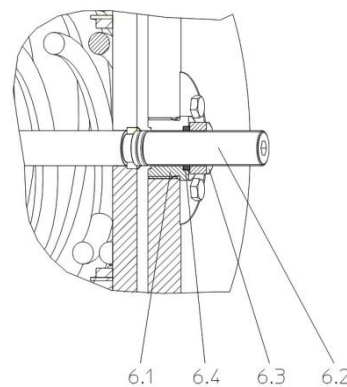


Fig. 6 – Stroke adjustment detail

7.2.2 Spring to Open version

7.2.2.1 Setting of the stopper on the cylinder side (Fig. 7)

Start this operation with the air in the hydraulic cylinder exhausted and valve in open or intermediate position.

Loosen the nut (7.3) from the setting screw (7.2) and unscrew the setting screw (7.2) until it remain only a few threads engaged on the end flange of the cylinder.

By pressurizing the cylinder, move the valve until it reach the correct setting in closed position; fix then the valve position by screwing the setting screw (7.2) until it stops on the end part of the internal piston.

Taking care not to damage it, reinstall the sealing washer (7.4) and screw until it blocks against the surface of the end flange; put then in place the protection washer (7.1) around the sealing washer (7.4) and block all the system with the nut (7.3).

To avoid the risk of unsetting the setting screw (7.2) during this last operation, keep the setting screw (7.2) blocked by using an Allen wrench engaged on the on the hexagonal receptacle.

7.2.2.2 Setting of the stopper on the spring side (Fig. 8)

Start this operation with valve in closed or intermediate position.

Loosen the nut (8.3) from the setting screw (8.2) and unscrew the setting screw (8.2) until it remain only a few threads engaged on the end flange of the spring cartridge.

By releasing the air in the cylinder, move the valve until it reach the correct setting in open position. Fix then the valve position by screwing the setting screw (8.2) until it stops on the end part of the internal spring stem.

Taking care not to damage it, reinstall the sealing washer (8.4) and screw until it fit into the groove of the spring cartridge bushing (8.1), then block all the system with the nut (8.3).

To avoid the risk of unsetting the setting screw (8.2) during this last operation, keep the setting screw (8.2) blocked by using an Allen wrench engaged on the on the hexagonal receptacle.

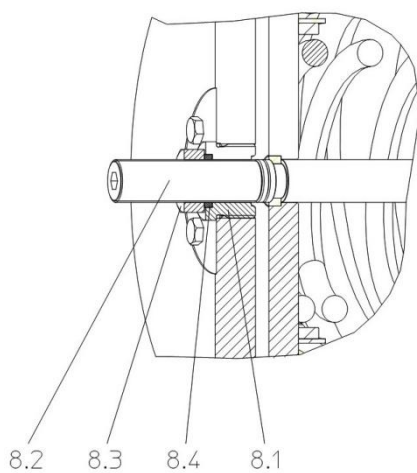


Fig. 8 – Stroke adjustment detail

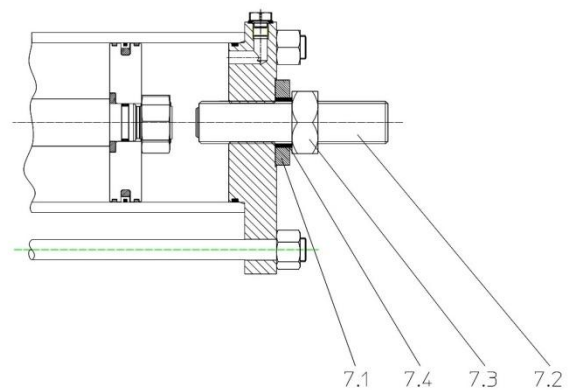


Fig. 7 – Stroke adjustment detail



When completed the setting operations it is recommended to operate the actuator with hydraulic supply and spring to check that the actuator moves properly and that there are no leakages in the cylinder/circuit.

8 MAINTENANCE

8.1 Periodic Inspections

Inspect the general conditions at regular intervals: recommended frequency of inspection is one time every two years but this frequency could be changed depending on the installation and working conditions.

- Check that the actuator operates the valve correctly and with the required operating times. If the actuator operation is very infrequent, carry out a few opening and closing operations with all the existing controls (remote control, local control, emergency controls, etc.), if this is allowed by the conditions of the plant.
- Check that the signals to the remote control desk are correct.
- Check that the hydraulic supply pressure value is within the required range.
- If there is an air filter on the actuator, bleed the condense water accumulated in the cup by opening the drain cock. Disassemble the cup periodically and wash it with soap and water; disassemble the filter: if this is made up of a sintered cartridge, wash it with nitrate solvent and blow through with air. If the filter is made of cellulose, it must be replaced when clogged.
- Check that the external components of the actuator are in good conditions.
- Check all the paint-coat of the actuator. If some areas are damaged, repair the paint-coat according to the applicable specification.
- Check that there is no leak in the hydraulic connections. If necessary tighten the nuts of the pipe-fittings.




Warning: Take care that a build-up of dust or dirt on the actuator can inhibit cooling and contribute to increase surface temperature. The user should plan and provide for a periodic cleaning/maintenance program that will maintain the external surface of the actuator free from excessive layer of dust.





Important: Use only STI original spare parts. STI cannot accept responsibility for any damages that occur from using spare parts or fastening materials from other manufacturers.
If STI products (i.e. gasket, o-ring etc) have been on store for longer periods check these for corrosion or deterioration before using these products.

8.2 Special maintenance

Under normal condition the actuator don't need special maintenance. If there are leaks in the hydraulic cylinder or a malfunction in the mechanical components, or in case of scheduled preventive maintenance, the actuator must be disassembled and seals must be replaced with reference to the attached sectional drawing and adopting the following procedures.

Important 	<p>Before performing any maintenance operations use always wear protective gloves, clothing, and eyewear when performing any maintenance operations.</p>
---	--

Warning 	<p>Before proceeding with any maintenance operation the following instructions must be respected:</p> <ul style="list-style-type: none"> - Disconnect any operating lines providing air pressure, electric power, or a control signal to the actuator. Be sure the actuator cannot suddenly open or close the valve - Close the hydraulic feed line and exhaust the pressure from the actuator cylinder and from the control unit, to ensure safety of maintenance staff.
---	---

Warning 	<p>To release spring tension, the stop screw at the end of spring cartridge must be remove before the cylinder tie rods are opened.</p> <p>Don't open the spring package. The piston, spring, piston rod and head flange are a pre-assembled package.</p>
---	---

If the actuator need to be disassembled from the valve on site, remove the screws between the actuator and the main valve or adaptor flange or mounting bracket (see Section 5.7 of this Manual).

8.2.1 Scotch yoke Mechanism seals replacement

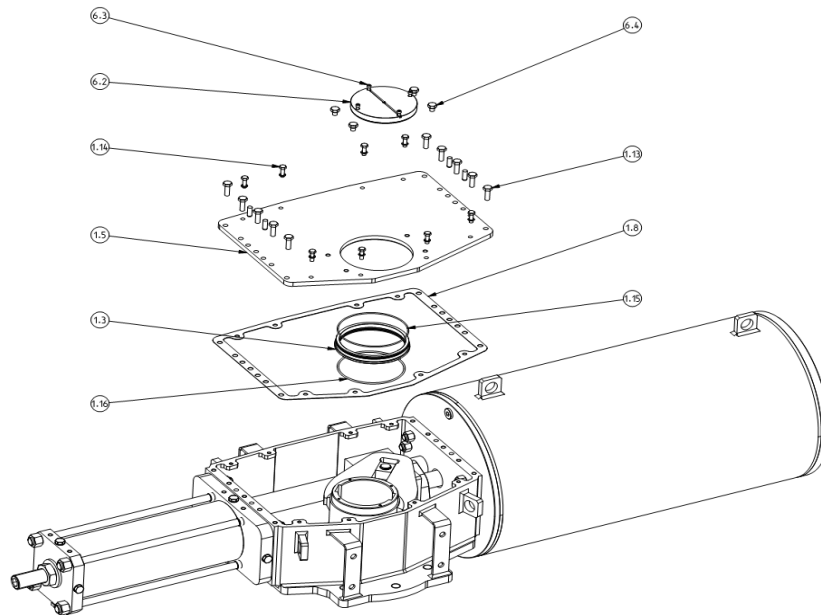


Fig. 9 – Scotch yoke mechanism seals replacement

Important: Ensure that the spring is totally released and therefore the piston rod is totally extracted.

To replace the cover gasket (1.8) under the cover (1.5), the position indicator (6.2) and relevant screws (6.3) and all the cover's screws (1.13, 1.14) must be removed.

Before replace cover gasket clean the housing and cover.

After removing the cover you may disassemble the bushing (1.3) and replace the O-ring (1.15, 1.16).

Clean the seal groove carefully and lubricate it with protective oil or grease film.

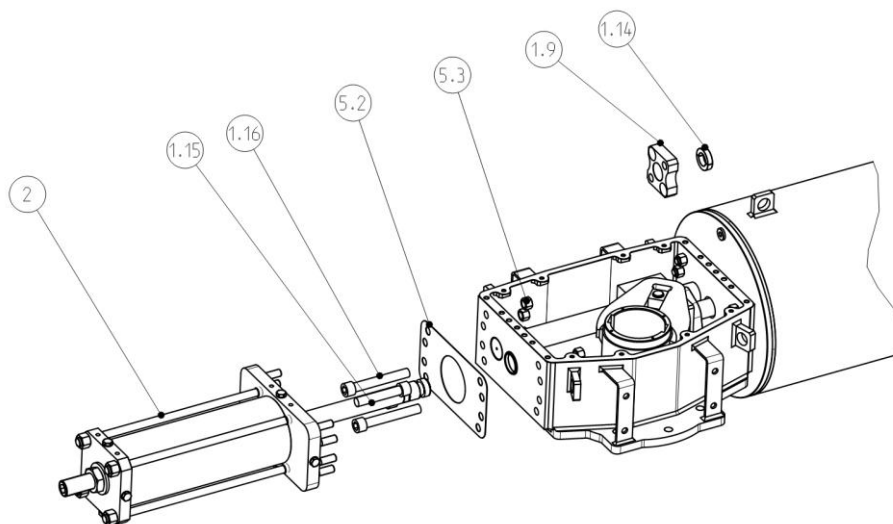


Fig. 10 – Scotch yoke mechanism seals replacement.

Once perform these actions is possible to remove the gasket between actuator housing and cylinder (2): Remove the screw (1.16) to disengage the guide block from spring cartridge, move the scotch yoke in central position (45°) remove the screw (1.15) to disengage the 2 off half rings (1.14) from flange (1.9), remove the fixing nut (5.3) on the cylinder side, remove, remove the cylinder (2) and replace the gasket (5.2), before replace cylinder clean the surface of housing and cylinder head flange.

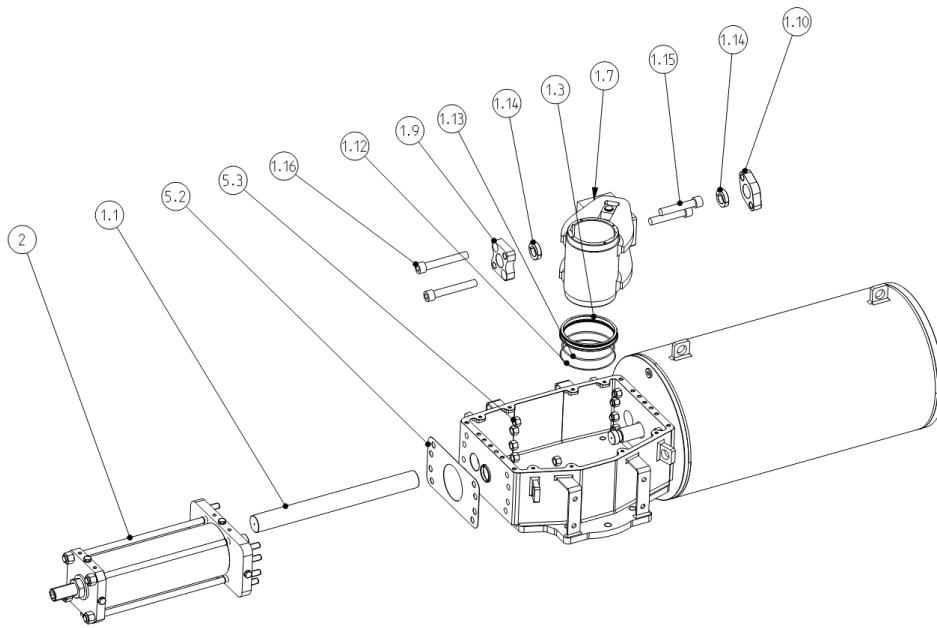


Fig. 11 – Scotch yoke mechanism seals replacement

At these point is possible replace the O-ring on the bottom of the scotch yoke:

Remove the guide bar (1.1), extract the scotch yoke and guide block, disassemble the bushing (1.3) and then replace the O-rings (1.12 - 1.13).

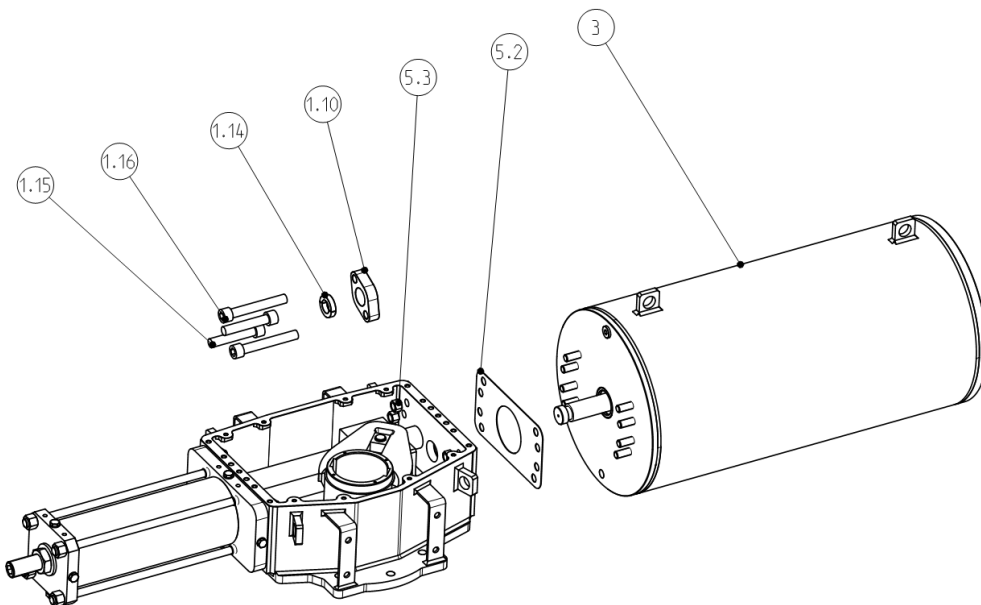



Fig. 12 – Scotch yoke mechanism seals replacement

To replace the gasket between actuator and spring cartridge, once the cover (1.5) has been removed, is necessary to remove the screw (1.11) to disengage the guide block from spring cartridge after that remove the fixing nut (5.3) on the spring cartridge side, remove the spring cartridge (3) and replace the gasket (5.2), before replace gasket clean the actuator housing surface and spring cartridge head flange.

8.2.2 hydraulic cylinder seals replacement

Warning 	<p>To release spring tension, the stop screw at the end of spring cartridge must be removed before the cylinder tie rods are opened.</p>
---	---

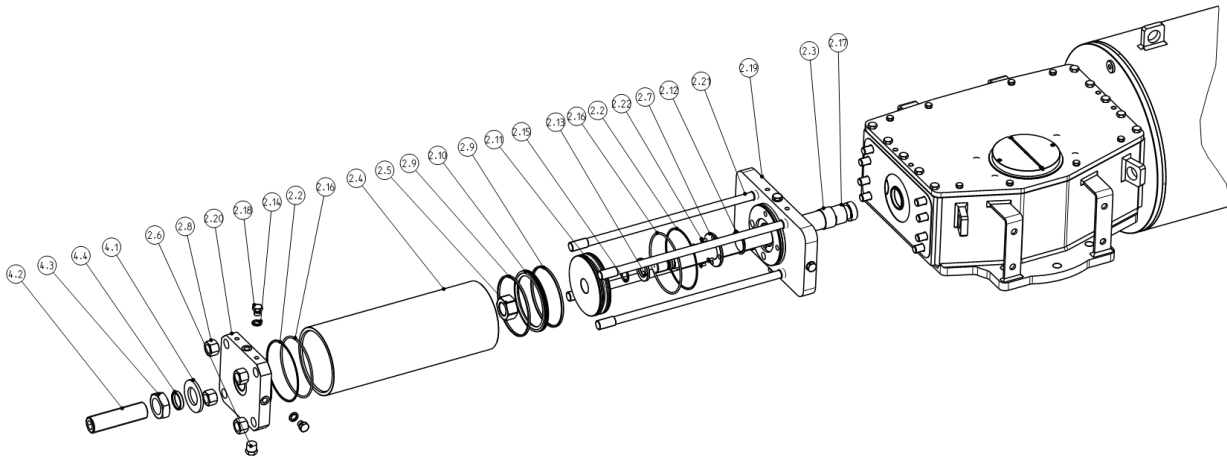


Fig. 13 – Hydraulic cylinder seals replacement

In case of necessity, in order to replace the seals, it is possible to completely disassemble the cylinder in the field without disconnecting it from the actuator body.

Warning 	<p>Ensure that the spring is totally released and therefore the piston rod is totally retracted.</p>
---	---

Remove the nuts (2.8) from tie rods, remove the end flange (2.20) after that replace the o-ring (2.16) and back-up ring (2.2) from the seal groove.

Disassemble the cylinder tube (2.4) to replace the sliding guides (2.9) and piston seal (2.10) from the seal groove and the o-ring (2.16) and back-up ring (2.2) on the head flange (2.19).

Remove the nut (2.5) from the piston rod (2.17), remove the piston (2.11) and replace the O-ring (2.15) and back-up rings.

Unscrew the screws (2.22), disassemble the flange (2.7) and replace the piston rod Seal-ring (2.12).

Remove the nut (4.3) holding the travel stop (4.2) and the washer (4.1) and then, if necessary, replace the sealing washer (4.4).

Before re-assembly clean all seal grooves carefully and lubricate them with protective oil or grease film.

It is possible to disassemble and replace seals of hydraulic cylinder disconnecting it from the actuator body and bring it in a safe area.

8.2.3 Reassembling

8.2.3.1 Hydraulic cylinder re-assembling.

Carefully clean the inside of the tube and check that the entire surface, particularly that of the bevels, is not damaged. Lubricate with a protective oil or grease film the tube internal surface and the bevels at the ends. Lubricate every seal grooves taking care there are not damages on seal surfaces.

Slide cylinder tube onto the piston taking care not to damage the o-ring: the tube bevel has to smoothly compress the piston seal ring; take care also not to damage the head flange O-ring.

Assemble the end flange by centering it on the inside diameter of the tube, taking care not to damage the O-ring.

Assemble the nuts (please refer to cylinder sectional dwg.) onto the tie rods. Tighten the nuts to the recommended torque as per Table 1 in sec. 5.6.2, alternating between opposite corners.

8.2.3.2 Actuator re-assembling

Assemble the hydraulic cylinder to the housing tightening, with recommended torque table, the screw between cylinder and housing. Replace o-ring at the bottom of the housing making attention there are not dirty or damage on the seal surface, put the bushing on its seat. Re-assemble scotch yoke and guiding block, make a generous coating of grease on the contact surfaces of yoke and the bushings, assemble the guide bar after that screw the plug into the housing to complete the bar guide assembling. Tighten the screw between cylinder piston rod and guiding block, with recommended torque, using a wrench.. Assemble the o-ring, the cover gasket and the cover with all screw.


Recommended tighten torque as per Table 1 in Section 5.6.2.

8.3 Repairs

When needed, repair must only be carried out with STI's original spare parts.

Original spare parts must be required to the STI with reference to the Table/Item numbers shown in the next Section 10.

To ensure that right spare is provided, **serial number** printed on the RTQHS series label must be specified when spares are ordered.

<p>Important</p> 	<p>After maintenance operations carry out a few actuator operations to check that its STROKING is regular and that there is no leak through the seals and fittings.</p>
---	--

8.4 Mechanism Lubrication

RTQHS series does not need lubrication during his life.

However it's possible to utilize during special maintenance operations the following grease recommended on Table 2 here below.

AGIP MU/EP/2 or equivalent	AEROSHELL GREASE 7 or equivalent
<p>To be used in standard temperature conditions (-20°C/+100°C)</p> <p>NLGI consistency: 2 Worked penetration: 280 dmm ASTM Dropping Point: 185°C Base oil viscosity at 40°C: 160 mm²/s ISO Classification: L-X-BCHB 2 DIN 51 825: KP2K - 20</p>	<p>To be used in low temperature conditions (-60°C/+100°C)</p> <p>Colour: Yellow/Brown Physical state: Semi-solid at ambient temperature Odour : Slight Density : 966 Kg/m³ at 15°C Flash Point : >215°C (COC) (Based on synthetic oil) Dropping point : >260°C (ASTM D-566) Product code : 001A0065 Infosafe No.: ACISO GB/eng/C</p>

Table 2

8.5 Hydraulic Fluid

Recommended hydraulic fluids to operate the RTQHS actuators are listed here below.

Equivalent fluids can be used provided they have the same characteristics of the fluids recommended on the Table 3 here below.

AGIP ARNICA 22	AEROSHELL Fluid 41
<p>To be used in standard temperature conditions (-20°C/+100°C)</p> <p>Manufacturer: Agip Viscosity at 40°C: 22 cSt Viscosity at 100°C: 4,94 cSt Viscosity Index: 157 Flash point COC: 192 °C Pour Point: < -39 °C Mass density at 15°C: 0,857 Kg/l</p>	<p>To be used in low temperature conditions (-60°C/+100°C)</p> <p>Manufacturer: Shell Viscosity at 40°C: 14,1 cSt Viscosity at 100°C: 5,30 cSt Viscosity Index: > 200 Flash point COC: 105 °C Pour Point: < -60 °C Mass density at 15°C: 0,87 Kg/l</p>

Table 3

9 TROUBLESHOOTING

Event	Possible cause	Remedy
Actuator doesn't work properly	Lack of hydraulic supply	Check supply line
	Defective main valve	Consult valve manufacturer documentation
	Failure of the control group	Call STI s.r.l. - Customer Care Dept.
Actuator too slow	Low supply pressure	Adjust supply pressure
	Incorrect speed control settings	Adjust speed controls to increase flow
	Exhaust port blocked	Remove and clean the exhaust port silencers and replace
	Wear of the main valve	Consult valve manufacturer documentation
Actuator too fast	High supply pressure	Reset
	Incorrect speed control settings	Adjust speed controls to decrease flow
Leakages on hydraulic circuits	Deterioration and/or damage to gaskets and or loosed fittings	Tighten loose fittings Call STI s.r.l. - Customer Care Dept..
	Damage to fittings	Call STI s.r.l. - Customer Care Dept.
Leakages on hydraulic cylinder	Damage to seals	Replace cylinder seals
Incorrect position of the valve	Wrong adjustment of mechanical stops	Re-adjust setting
	Wrong electric limit switches indication.	Re-adjust setting

10 PARTS LIST GENERAL ASSEMBLY

This section includes the general drawings and parts lists for each assembly and subassembly of RTQHS actuators.



Important: When ordering spare parts, please indicate the serial number embossed on the actuator nameplate.

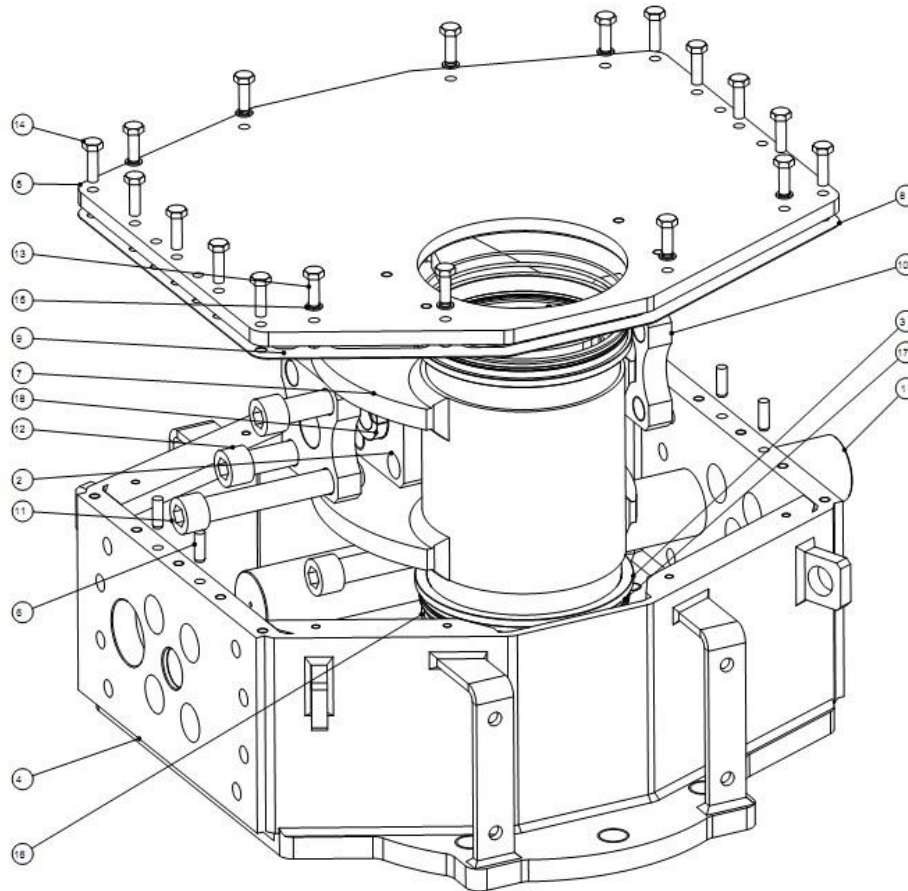


Important: Recommended spare parts for special or scheduled preventive maintenance are identified by index # on the next tables.



Important: When ordering any other part, please refer to the part item listed on the next tables.

Table 4: Scotch yoke mechanism

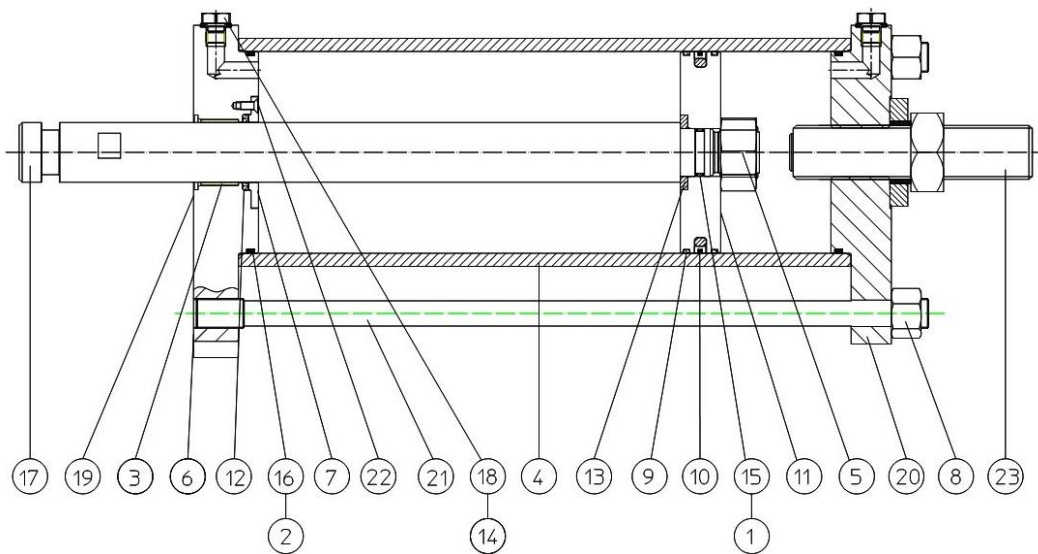


Item	Description	Qty	Material	Spare Parts
1	Guide Bar	1	Alloy steel	
2	Guide block	1	Carbon steel	
3	Scotch yoke bushing	2	Bronze	
4	Housing	1	Carbon steel	
5	Cover	1	Carbon steel	
6	Cylinder pin	4	Alloy steel	
7	Scotch yoke	1	Carbon steel	
8	Cover gasket	1	Fiber	#
9	Plate	1	Carbon steel	
10	Plate	1	Carbon steel	
11	Screw	2	Carbon steel	
12	Screw	2	Carbon steel	
13	Screw	(**)	Carbon steel	
14	Screw	10	Carbon steel	
15	Seal washer	(**)	Carbon steel+NBR	
16	O-ring	2	NBR (*)	#
17	O-ring	2	NBR (*)	#
18	Half ring	2	Alloy steel	

(*) NBR standard material for temperature range from -20°C up to +100°C.

(**) Quantity depends on the model.

Table 5: Hydraulic cylinder

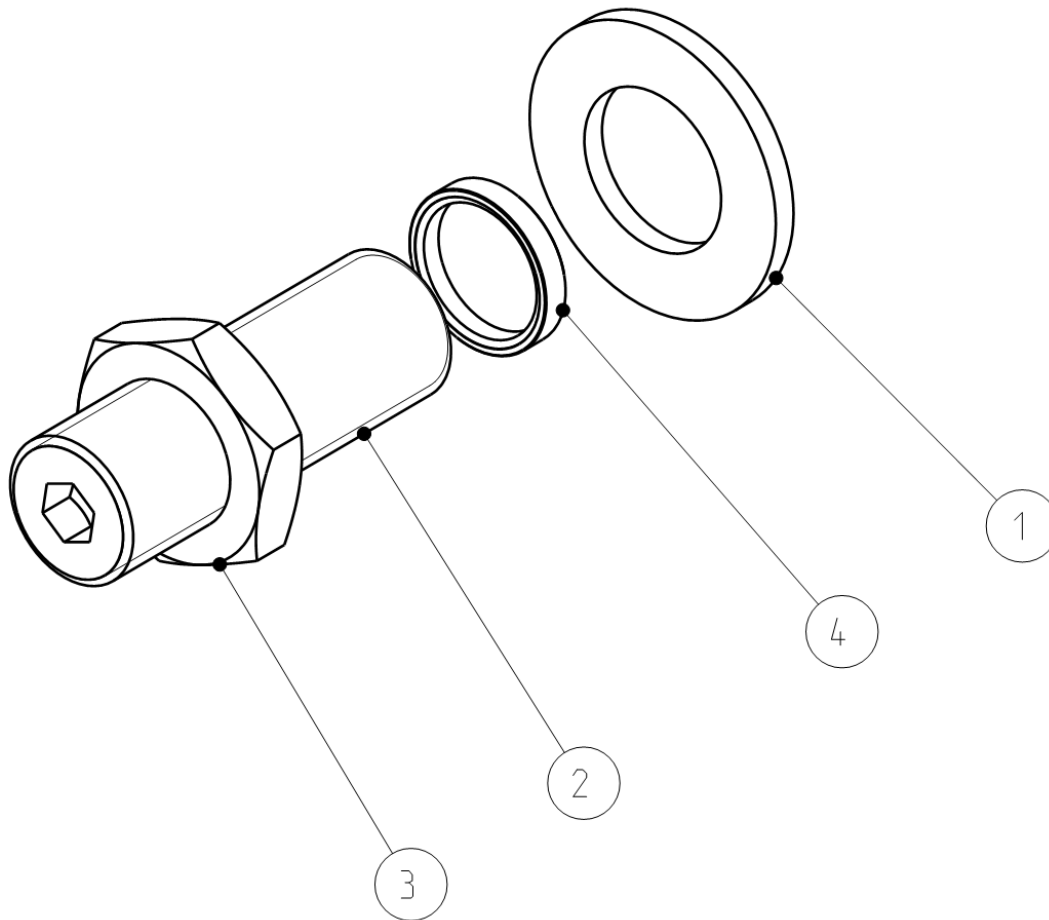


Item	Description	Qty	Material	Spare Parts
1	Back-up ring	1	NBR	#
2	Back-up ring	1	NBR	#
3	Bushing	1	Steel/Bronze/PTFE	
4	Cylinder tube	1	Carbon steel	
5	Stem nut	1	Carbon steel	
6	Plug	2	Carbon steel	
7	Retaining flange	1	Carbon steel	
8	Tie rod nut	(**)	Carbon steel	
9	Sliding guide	2	PTFE	#
10	Piston seal	1	PTFE/NBR (*)	#
11	Piston	1	Carbon steel	
12	Rod seal	1 (2)	PTFE/NBR (*)	#
13	Washer	1	Carbon steel	
14	Seal washer	2	Carbon steel/NBR	
15	O-ring	1	NBR (*)	#
16	O-ring	1	NBR (*)	#
17	Stem	1	Alloy steel	
18	Drain plug	2	Carbon steel	
19	Head flange	1	Carbon steel	
20	End flange	1	Carbon steel	
21	Tie rod	(**)	Carbon steel	
22	Screw	4	Carbon steel	
23	Stopper assembly	1	Carbon steel/Stainless steel (See table 6)	

(*) NBR standard material for temperature range from -20°C up to +100°C.

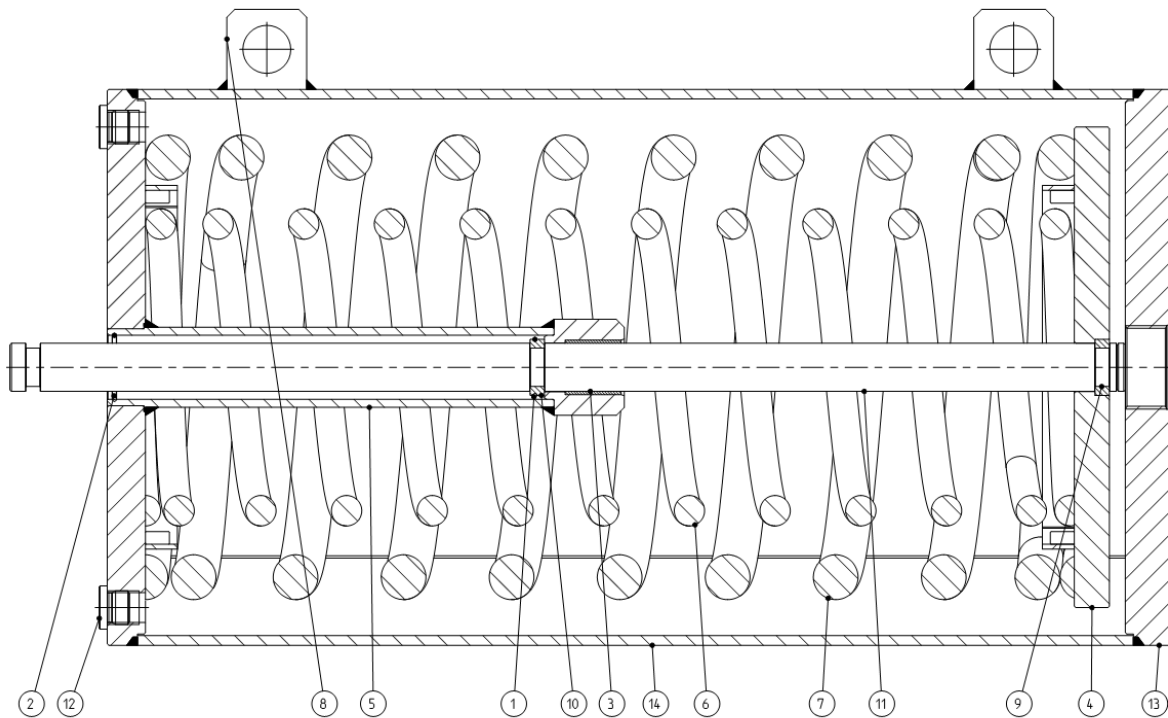
(**) Quantity depends on the model.

Table 6: Stopper assembly for hydraulic cylinder



Item	Description	Qty	Material	Spare Parts
1	Protection Washer	1	Stainless Steel	
2	Setting screw	1	Stainless steel	
3	Nut	1	Stainless steel	
4	Sealing washer	1	Elastomer	#

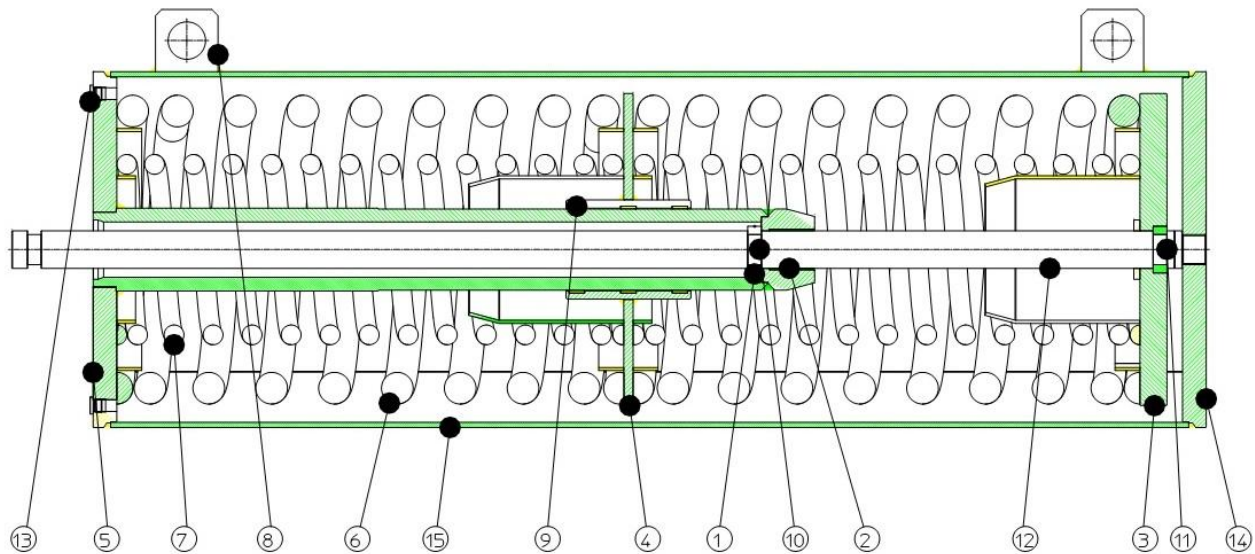
Table 7: Single Spring package cartridge



Item	Description	Q.ty	Material	Spare Parts
1	Spring ring	1	Alloy steel	
2	Spring ring (*)	1	Alloy steel	
3	Bushing	1	Steel/Bronze/PTFE	
4	Thrust flange	1	Carbon steel	
5	Head flange + spring guide	1	Carbon steel	
6	Spring (*)	1	Alloy steel	
7	Spring	1	Alloy steel	
8	Lifting eyelet	2	Carbon steel	
9	Half ring	1	Carbon steel	
10	Half ring	1	Carbon steel	
11	Stem	1	Alloy steel	
12	Plug	2	Carbon steel	
13	End flange	1	Carbon steel	
14	Cartridge tube	1	Carbon steel	

(*) Only when requested

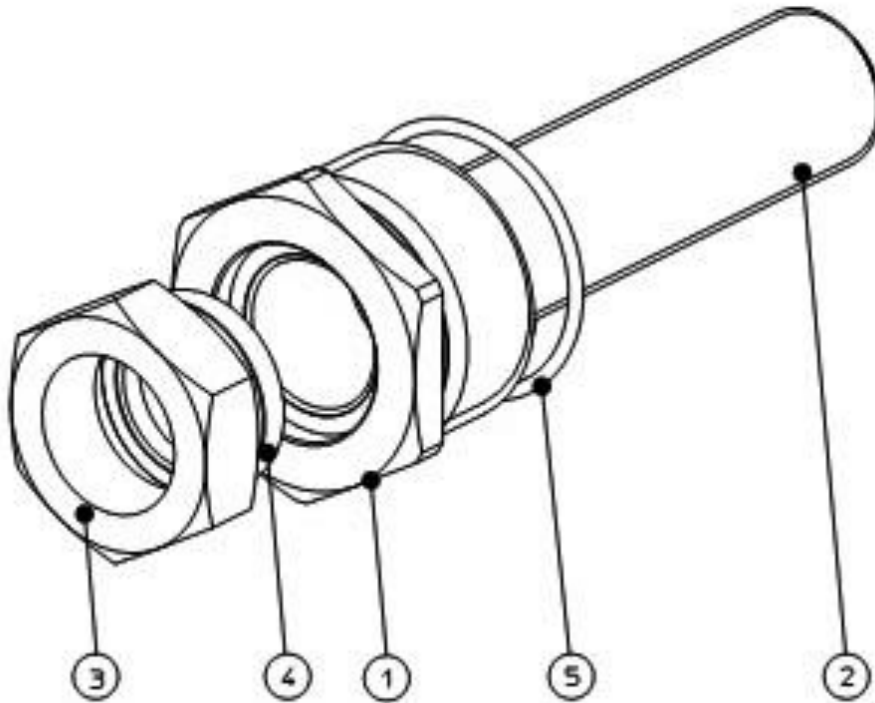
Table 8: Double Spring package cartridge



Item	Description	Q.ty	Material	Spare parts
1	Elastic ring	1	Alloy steel	
2	Bushing	1	Steel/Bronze/PTFE	
3	Thrust flange	1	Carbon steel	
4	Intermediate guide	1	Carbon steel	
5	Head flange	1	Carbon steel	
6	Spring	2	Alloy steel	
7	Spring (*)	2	Alloy steel	
8	Lifting eyelet	2	Carbon steel	
9	Sliding guide	1	PTFE	
10	Retaining ring	1	Carbon steel	
11	Retaining ring	1	Carbon steel	
12	Stem	1	Alloy steel	
13	Plug	1	Carbon steel	
14	End cap	1	Carbon steel	
15	Cartridge tube	1	Carbon steel	

(*) Only when requested

Table 9: Stopper assembly for spring cartridge



Stopper assembly part list

Item	Description	Qty	Material	Spare Parts
1	Setting screw adaptor	1	Carbon steel	
2	Setting screw	1	Stainless steel	
3	Nut	1	Stainless steel	
4	Sealing washer	1	Elastomer	#
5	O-ring	1	NBR (*)	#

(*) NBR standard material for temperature range from -20°C up to +100°C.

11 SPARE PARTS

Spare part kit for single acting actuator RTQHS series

General references for the recommended spare parts are shown in the tables of Section 10 are identified by **index #** .

Individual kit, including all the recommended spares, can be ordered directly to STI srl provided that serial number of the actuator or specific purchasing order for the original actuator is indicated in the request.

12 DECOMMISSIONING

Disposal and recycling



Warning: Before disassembling actuator it is necessary to intercept the hydraulic connection to discharge hydraulic cylinder and control unit to the atmosphere. If present discharge also the pressure from back-up tank.



Warning: Refer to section 5.1 and section 5.4 for lifting and stability procedure



Warning: If the actuator can be operated, put the actuator in fail safe position and unscrew totally the stopper screw with spring totally extended.

Warning: The demolition of actuator parts should be made from specialized personnel.

Before starting a large area should be created around the actuator so to allow any kind of movement without problems of further risks created by work site.

Subject	Hazardous	Recyclable	Disposal
Metals	No	Yes	Use licensed recyclers
Plastics	No	Yes	Use specialist recyclers
Rubber (seals and o-rings)	Yes	No	May require special treatment before disposal, use specialist waste disposal companies
Oil and grease	Yes	Yes	May require special treatment before disposal, use specialist waste disposal companies
Electric and Electronic equipment	Yes	Yes	Use specialist recyclers






Warning: Do not re-use parts or components which appear to be in good condition after they have been checked or replaced by qualified personnel and declared unsuitable for use.



Important: In all cases check local authority regulation before disposal

13 Declaration of Incorporation

 IMI STI	DICHIARAZIONE DI INCORPORAZIONE <small>(ai sensi dell'allegato II B della Direttiva Macchine 2006/42/CE)</small>	
DECLARATION OF INCORPORATION <small>(in accordance with EC Machinery Directive 2006/42/EC Annex II Section B)</small>		
<p>La Sottoscritta STI S.r.l. con sede in Via Dei Caravaggi, 15 – 24040 Levate (BG) – ITALIA dichiara, in qualità di costruttore sotto la propria responsabilità, che la quasi-macchina qui identificata:</p> <p><i>We, STI S.r.l. based in Via Dei Caravaggi, 15 – 24040 Levate (BG) – ITALY, hereby declares, as the manufacturer under its sole responsibility, that the partly completed machinery here below identified:</i></p> <p>Denominazione Generica/Generic Denomination: Quarter Turn Pneumatic Actuator Series RT</p> <p>Tipi/Types: RTC; RTCS; RTQ; RTQS; RTM; RTMS</p> <ul style="list-style-type: none"> ▪ rispetta i seguenti RES della Direttiva 2006/42/CE/complies with the following EHSRs of Directive 2006/42/EC: 1.1.1 - 1.1.2 - 1.1.3 - 1.1.5 - 1.2.1 - 1.2.2 - 1.3.1 - 1.3.2 - 1.3.4 - 1.3.7 - 1.3.8 - 1.4.1 - 1.5.1 - 1.5.2 - 1.5.3 - 1.5.4 - 1.5.5 - 1.5.6 - 1.5.7 - 1.5.13 - 1.6.1 - 1.7.1 - 1.7.2 - 1.7.3 - 1.7.4 ▪ è destinata ad essere incorporata/assemblata in un'altra macchina, quasi-macchine o apparecchi. <i>is intended to be incorporated into a completed machinery or assembled with other partly completed machinery or equipment.</i> ▪ non può essere messa in servizio prima che la macchina finale in cui sarà incorporata o con cui verrà assemblata sia stata dichiarata conforme alle disposizioni della direttiva 2006/42/CE. <i>must not be put into service until the final machinery into which it is to be incorporated has been declared in conformity with the provisions of Machinery Directive 2006/42/EC.</i> ▪ è conforme alle prescrizioni della/complies with the requirements of: <ul style="list-style-type: none"> ○ Direttiva bassa tensione (DBT) 2006/95/CE, solo per il materiale conforme installato <i>Low Voltage Directive (LVD) 2006/95/EC, only for compliant material installed</i> ○ Direttiva compatibilità elettromagnetica (EMC) 2004/108/CE per i componenti elettrici-elettronici presenti e delle disposizioni nazionali di attuazione / <i>Electromagnetic Compatibility Directive (EMC) 2004/108/CE for the electrical-electronic components present and of National requirement of implementation</i> ○ Norme UNI EN ISO 12100:2010, CEI EN 60204-1:2006/AC:2010 relativamente solo ai RES applicati <i>Harmonised standards EN ISO 12100:2010, EN 60204-1:2006/AC:2010 only referred to EHSRs applied</i> <p>La documentazione tecnica pertinente è stata compilata in conformità dell'allegato VII B: persona autorizzata alla costituzione: STI srl c/o STI srl Via Dei Caravaggi 15 – 24040 Levate (BG) Italia <i>The relevant technical documentation is compiled in accordance with the provisions of part B of Annex VII: person authorised to compile: STI srl at STI srl Via Dei Caravaggi 15 – 24040 Levate (BG) Italia.</i></p> <p>Informazioni pertinenti riguardanti la quasi-macchina saranno trasmesse, in risposta ad una motivata richiesta, alle Autorità Nazionali. <i>The relevant information concerning the partly completed machinery will be transmitted, in response to a motivated request, to the National Authorities.</i></p> <p>Il modello, il numero di matricola, l'anno di costruzione, i dati del costruttore sono riportati sulla targa fissata alla quasi-macchina. <i>The model, serial number, year of manufacture, the manufacturer's data are shown on the nameplate attached to the partly completed machinery.</i></p> <p>Levate, 11 Giugno 2015</p> <p style="text-align: right;">L'Amministratore Delegato Ernestino Bertoli</p> 		

STI S.r.l. Via Dei Caravaggi 15
24040 Levate (BG) Italy
Tel. +39 035 2928.2
Fax +39 035 2928.247
info@StiStrumentazione.com